

Multi-Channel Analog Power Monitor



EigenLight's Multi-Channel Analog Power Monitor provides an analog voltage output representing the optical power being carried in each of up to 4 fiber optic channels. Using a precision logging circuit, each voltage output continuously tracks the optical power over more than 6-decades, thus eliminating the need for autoranging or voltage discontinuities. These devices are used in laboratory and OEM feedback & control applications requiring continuous voltage control over wide power ranges, including Photonic Doppler Velocimeters.

FEATURES

- Voltage output continuously tracks optical power over more than 6 orders of magnitude
- Power measurement from -50 dBm to +25 dBm
- Fiber pigtail or bulkhead connector on input and output

SPECIFICATIONS

	AAX10	AAX20
Power Range	-50 to +15 dBm	-40 to +25 dBm
Insertion Loss	<0.4 dB	<0.2 dB
Absolute Accuracy	+/- 0.2 dB	+/- 0.2 dB
Return Loss	>70 dB	>70 dB
Wavelength Range	1520 nm to 1620 nm	
Directivity ¹	> 30 dB	
Polarization-dependent Loss	< 0.01 dB	
Polarization Stability ²	≤ 0.1 dB	
Spectral Slope of Responsivity	<0.005 dB/nm	
Fiber Type	Single-mode	
Analog Output	1 millivolt/dBm	
Analog output impedance	40 Kohm	
Analog response time ³	< 0.1 second	
External Power ⁴	+/- 8-12 VDC	
Operating Temperature	5 °C to +30 °C	
Storage Temperature	0 °C to +60 °C	
Case Material	Aluminum	
Dimensions		
Weight		

1. Sensitivity to forward-directed light relative to backward directed light.

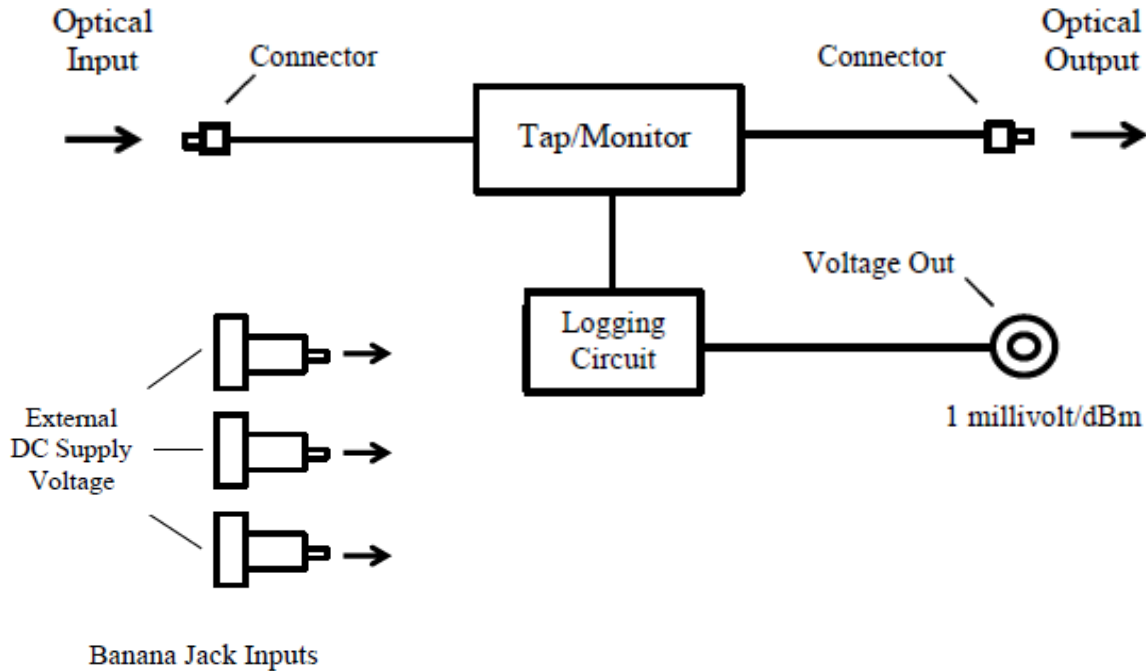
2. Change in signal with polarization.

3. Optical Power Dependent

4. External Power Supply not included

Multi-Channel Analog Power Monitor

Functional Diagram for each channel



Ordering Information

Number of Channels

Up to 4 Channels

AA 0 - -

Power Range

1 = -50 to +15 dBm
2 = -40 to +25 dBm

Input Connector Type

See Table On Right

Output Connector Type

See Table On Right

Connectors

Code	Connector Type
10	FC (pigtail)
15	FC/APC (pigtail)
20	ST (pigtail)
25	ST/APC (pigtail)
30	SC (pigtail)
35	SC/APC (pigtail)
40	LC (pigtail)
45	LC/APC (pigtail)
50	MU (pigtail)
70	FC (Bulkhead)
75	FC/APC (Bulkhead)
90	Bare Fiber