

FIBER OPTIC PATCH CORDS



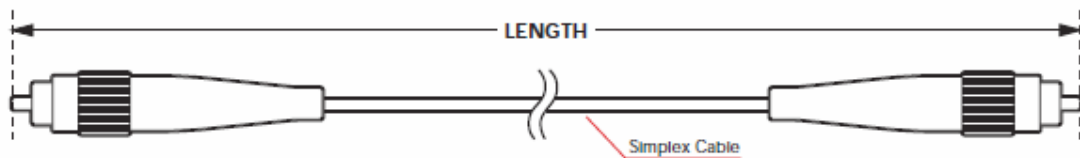
EigenLight offers exceptional quality and reliability in its line of **fiber optic patch cables**. These custom assemblies are Telcordia qualified and built for the most demanding OEM, production or lab applications.

FEATURES

- 100% Interferometric Testing on Connectors
- 100% Insertion Loss Testing
- Connector End-Face Geometry to IEC Specifications or Better
- UPC Polish Standard
- Bar Coded Serialization and Documentation available (Premium and Master Grade)

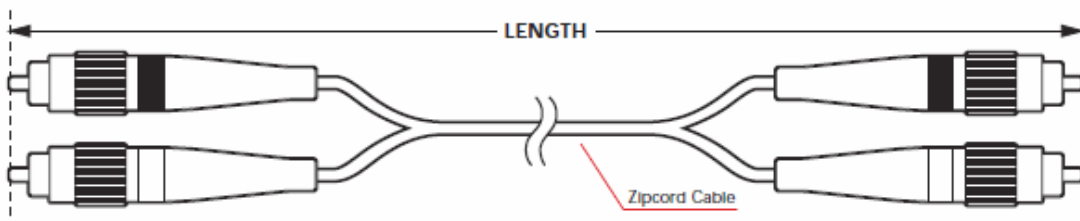
SIMPLEX PATCH CORDS (J)

Designed for single point-to-point connections, simplex patch cords are available with all industry standard connectors and fiber. When ordering specify length as shown below.



DUPLEX PATCH CORDS (Z)

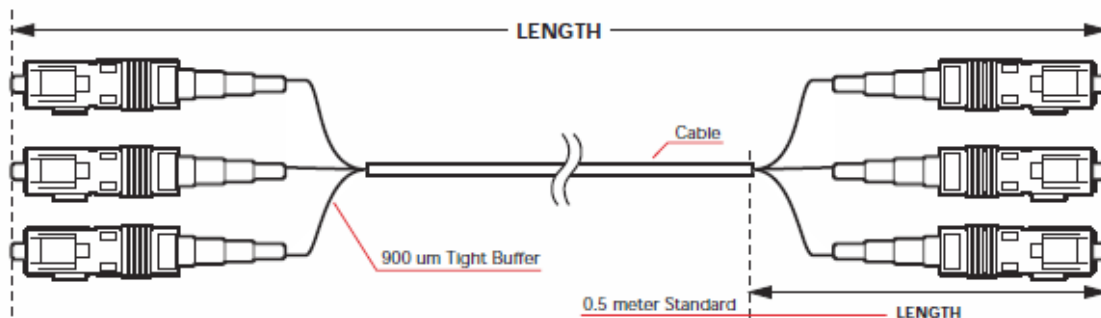
Similar to standard patch cords but features two fibers in a zipcord cable.



FIBER OPTIC PATCH CORDS

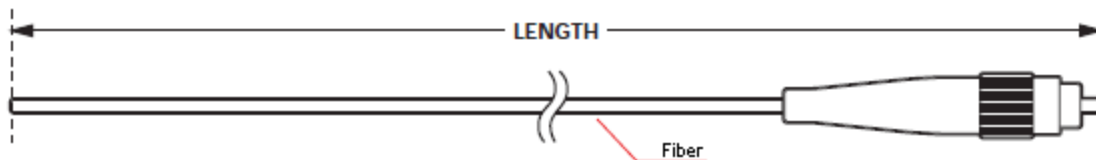
MULTIPLEX PATCH CORDS (N)

Designed for applications that require a multiplicity of point-to-point connections over the same physical path, these multiple fiber patch cords are available with 4, 6, 12, or 24 fiber counts. Each fiber is color-coded and connectorized for easy installation. When ordering specify length as shown below.



FIBER OPTIC PIGTAILS (J)

Fiber optic pigtails have a bare fiber end for easy splicing onto fiber optic devices and systems. Available in 250 um bare fiber or with a 900 um buffer.



CONNECTOR SPECIFICATIONS

	PC (Physical Contact)		APC (Angled Physical Contact)	
	MIN	MAX	MIN	MAX
Radius of Curvature	10.0 mm	25.0 mm	5.0 mm	12.0 mm
Fiber Height (Spherical Fit)	-50.0 nm	50.0 nm	-100.0 nm	100.0 nm
Apex Offset	0.0 um	50.0 um	0.0 um	50.0 um
Angle	-0.3°	0.3°	7.5°	8.5°
Key Error	N/A	N/A	-0.25 °	0.25°
Fiber Surface Roughness	0.0 nm	50.0 nm	0.0 nm	50.0 nm
Ferrule Surface Roughness	0.0 nm	50.0 nm	0.0 nm	50.0 nm
Epoxy Diameter	123.0 um	130 um	123.0 um	130 um
Return Loss (Mated Connector)	50 dB	N/A	65 dB	N/A

FIBER OPTIC PATCH CORDS

HYBRID ADAPTERS

For mating dissimilar connector styles. All adapters have metal housing.



Ordering Information: Hybrid Adapters

Input Connector	Code	Input/output
A <input type="checkbox"/> <input type="checkbox"/> - <input type="checkbox"/> <input type="checkbox"/>	30-10	SC-FC
	20-30	ST-SC
	20-10	ST-FC
	35-15	SC/APC-FC/APC

MATING SLEEVES

For mating connectors of similar style. All mating sleeves have metal housing.



Ordering Information: Mating Sleeves

Connector Type	Style	Connectors
S <input type="checkbox"/> <input type="checkbox"/> - <input type="checkbox"/> <input type="checkbox"/>	D: D Type F: Flanged	Code Connector Type
		10 FC
		15 FC/APC
		20 ST
		30 SC
		35 SC/APC

Patchcord Ordering Information:

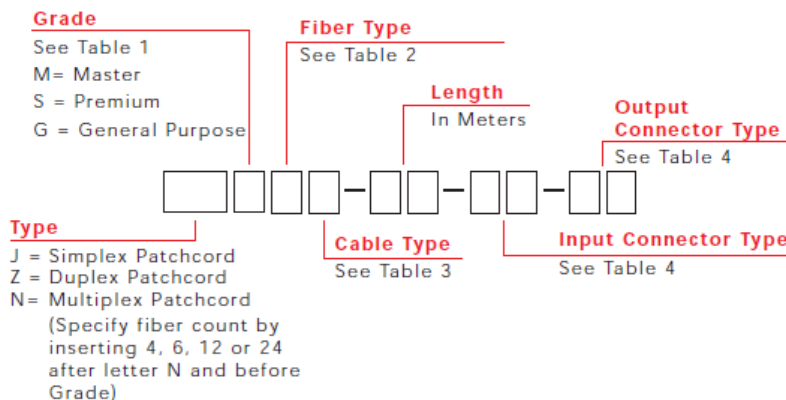


TABLE 1: Grade

Code	Description
S	Premium Grade • Comes with serialization and documentation of loss and end-face geometry. • Connector Loss <0.15 dB
G	General Purpose Grade • Connector Loss <0.3 dB
M	Master Grade • Comes with serialization and documentation of loss and end-face geometry. • Connector Loss <0.05 dB

TABLE 2: Fiber Type

Code	Description
0	Corning SMF28 Singlemode
2	50/125 um Multimode
3	62.5/125 um Multimode
4	Corning HI 1060
A	Corning HI 980
B	Corning HI 780

TABLE 3: Cable Type

Code	Description
0	3 mm Diameter
1	2 mm Diameter
3	900 um PVC Tight Buffer
4	900 um Hytel Tight Buffer
5	3 mm Diameter Cable with Wire Conductor Between Connectors (Simplex Only)
6	Bare Fiber
8	900 um Loose Tube
9	900 um TBII

TABLE 4: Connectors

Code	Connector Type
10	FC
15	FC/APC
20	ST
25	ST/APC
30	SC
35	SC/APC
40	LC
45	LC/APC
50	MU
90	Bare Fiber

Note: Connector losses measured against a master patchcord.